

**Product:** descender device

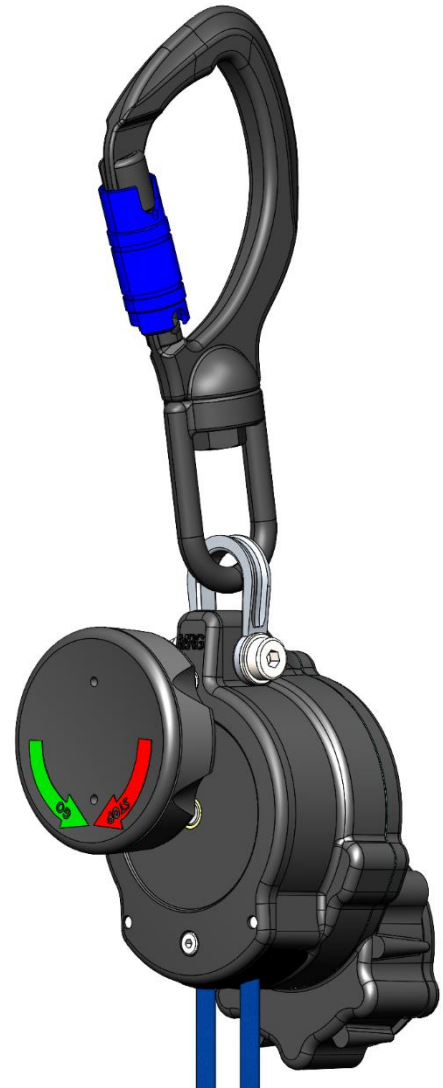
**Type:** miniEVAC

**Product description:**

The miniEVAC is a descender device that is used to descend vertically from a higher location to a lower location at a limited speed.

The descender device is intended for one-time use. After use, this descender device may no longer be used. It is only allowed to be used again after it has been checked and repaired by the manufacturer or by a person authorized by the manufacturer who agrees to the device being used again.

The descender device is only allowed to be used within the specified conditions of use, only for the specified purpose and only for evacuation purposes. Locations of use include wind turbines, cranes, gondolas, lifts, buildings, towers and similar. The descender device is only allowed to be used as an evacuation system, but never as a fall arrest system or for lowering loads. The device must not be loaded over the specified load limits.



1

**miniEVAC EUR**  
**rescue kit 200 m** ⇒ **item number: 181308**

**Customs tariff number: 84253900**

**miniEVAC INT**  
**rescue kit 200 m** ⇒ **item number: 181408**

	Packaging unit (vacuum-sealed = 15 years maintenance-free)					
	50 m	100 m	150 m	200 m	250 m	300 m
<b>miniEVAC EUR</b>	4 kg Ø200x280mm	5,5 kg Ø250x350mm	7,1 kg Ø250x450mm	8,6 kg Ø250x530mm	10,1 kg Ø250x600mm	11,6 kg Ø300x650mm
<b>miniEVAC INT</b>	4,1 kg Ø200x300mm	5,8 kg Ø250x380mm	7,6 kg Ø250x480mm	9,1 kg Ø250x580mm	10,6 kg Ø250x630mm	12,3 kg Ø300x670mm

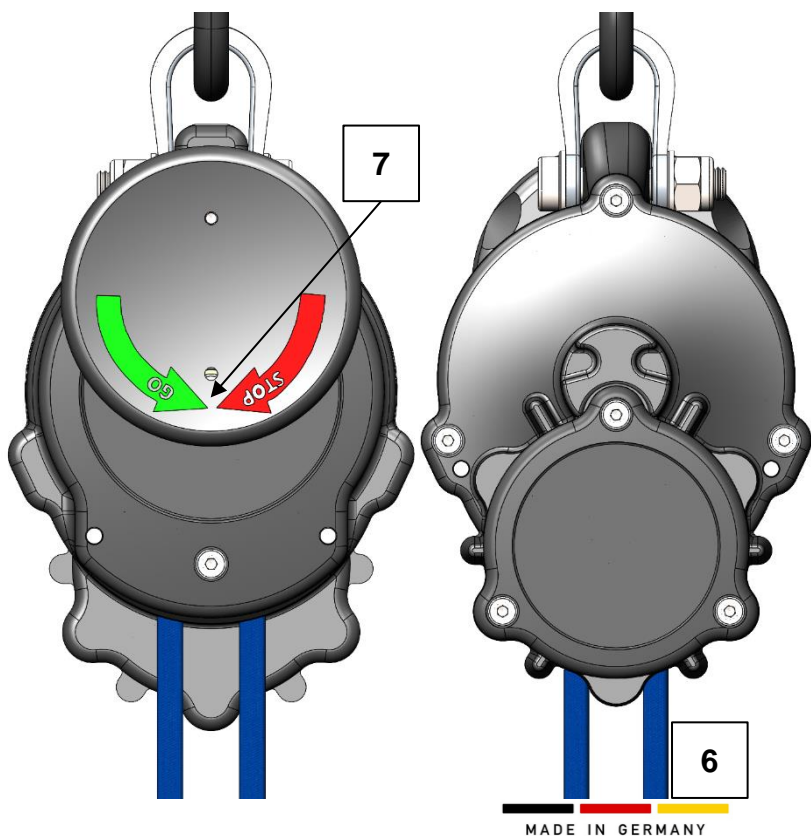
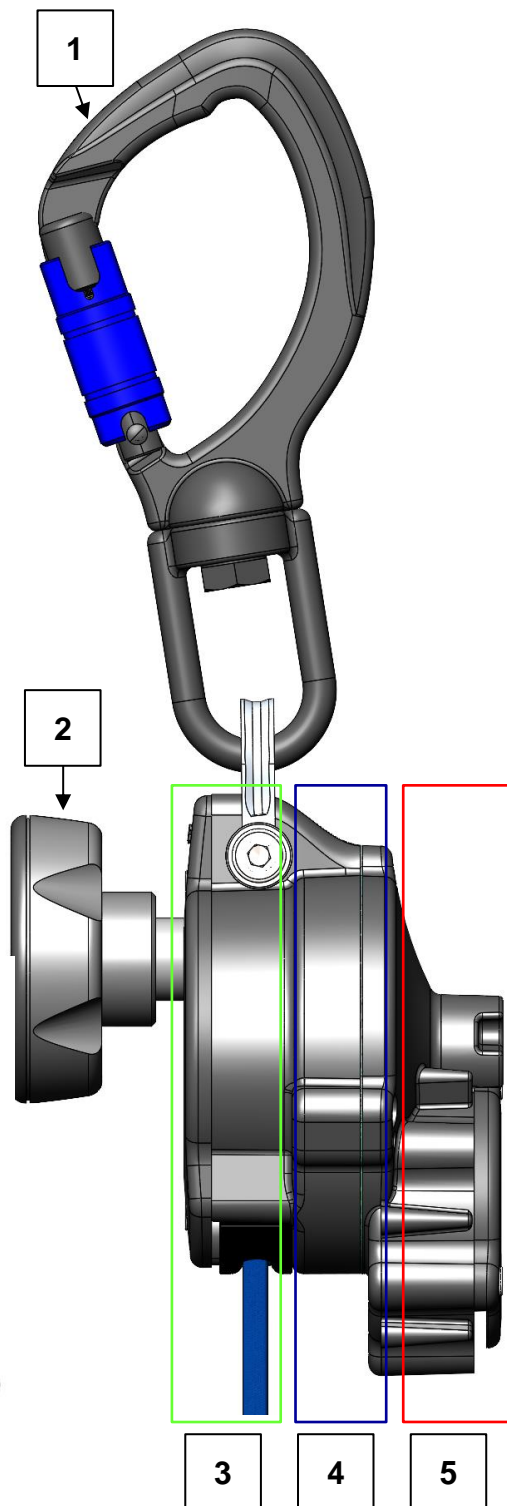
\* The weight and dimension values are approximate values and can vary.



**Functional features:**

no.	description	
1	carabiner with swivel function	
2	locking handle - (rotatable)	
3	rope chamber <span style="color: green;">■</span>	
4	gear chamber <span style="color: blue;">■</span>	
5	brake chamber - brake unit <span style="color: red;">■</span>	
6	descending rope	
7	„GO“ and „STOP“ sticker	
	<p>„GO“ <span style="color: green;">■</span> left turn for continuous descent</p>	<p>„STOP“ <span style="color: red;">■</span> Right turn for stopping the descent</p>

table: 3



### Technical data:

descender device:	miniEVAC EUR	miniEVAC INT
rope details:	PE <sup>1</sup> – rope EN 564:2014	OV <sup>1</sup> – rope EN 564:2014 EN 1891:1998
	∅ = 6 mm g = 22 g/m T = 220 °C	∅ = 6 mm g = 29 g/m T = 330 °C
certification - conformity:	DIN EN 341:2011/1D	DIN EN 341:2011/1D ANSI/ASSE Z359.4-2013 CSA Z259.2.3-16
max. descent high:	h = 300 m	
max. descent load:	m <sub>max.</sub> = 144 kg	
min. descent load:	m <sub>min.</sub> 40 kg	
descend test load:	m <sub>test</sub> <sup>3</sup> = 180 kg	
max. descending energy:	1 x 144 kg x 9,81 m/s <sup>2</sup> x 300 m	
descending speed:	∅ v = 0,8 m/s at m <sub>max.</sub>	
temperature range:	-40 °C to +60 °C (dry) -20 °C to +60 °C (wet)	
<p><sup>1</sup> = PE and OV are internal descriptions of the ropes  <sup>2</sup> = LCP is the short form for liquid crystal polymer  <sup>3</sup> = Test load tested at certification</p>		